

CLEMRO

SURGE BINS



CLEMRO **Western Ltd.**

8242-30 STREET S.E., CALGARY, ALBERTA, CANADA T2C 1H8
PHONE: (403) 279-3877 FAX: (403) 236-0186 www.clemro.com



Surge Bins

Design Features:

Conveyor

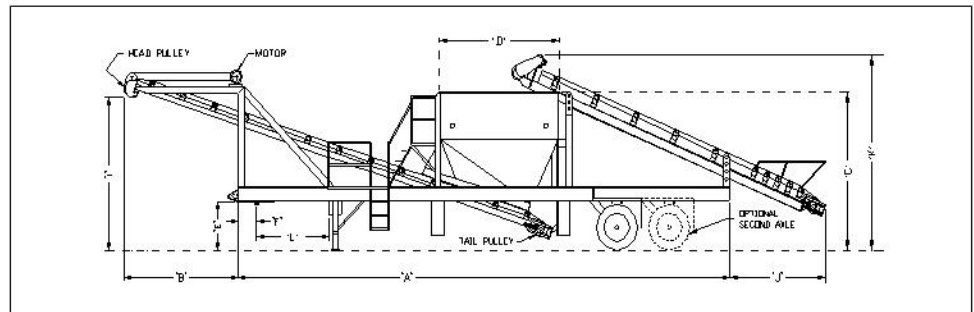
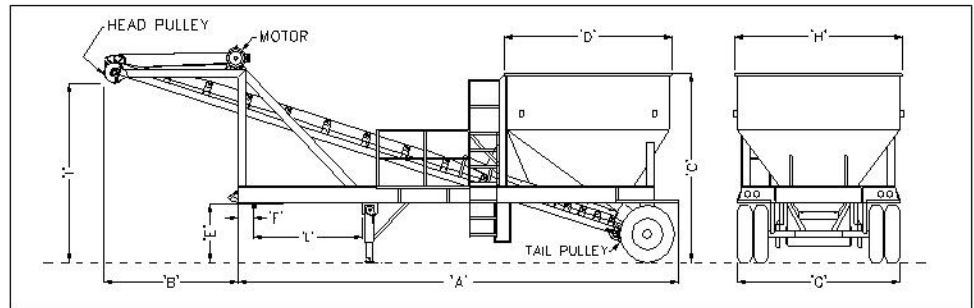
42" belting 3-ply 1/4" x 1/16 covers, vulcanized splice.
 Heavy duty head pulley c/w shaft and double row pillow block bearings.
 Self cleaning return rollers.
 Heavy duty electric motor with optional fluid torque converter.
 Dodge speed reducers.

Hopper

Bottom half constructed of 3/8" AR plate.
 Top half constructed of 1/4" M5 plate.

Chassis

12" @ 26 lbs per foot wide flange beam
 Two blocking legs.
 Two New Holland landing gear. Running gear single axle.
 Rayco axle.
 11/22.5 tubeless radial tires.
 Brakes, lights, mud-flaps etc.



Note: Dimensions shown are approximate. Certified drawings are available for construction purposes.



Chart of overall Dimensions

SURGE BIN SIZE		"A"	"B"	"C"	"D"	"E"	"F"	"G"	"H"	"I"	"J"	"K"	"L"
42 Inches	In.	317	104	138	118	42	12	120	118	132	NA	NA	84
1167 mm	mm	8052	2642	3531	2997	1067	305	3048	2997	3353	NA	NA	2134
48 Inches	In.	317	104	138	130	42	12	126	130	132	NA	NA	84
1219 mm	mm	8052	2642	3531	3302	1067	305	3200	3302	3353	NA	NA	2134
42 Inches Piggy Back	In.	480	112	138	118	42	18	120	118	133	92	174	71
1167 mm Piggy Back	mm	12192	2845	3531	2997	1067	457	3048	2997	3378	2337	4420	1803
48 Inches Piggy Back	In.	480	112	138	130	42	18	126	130	133	92	174	71
1219 mm Piggy Back	mm	12192	2845	3531	3302	1067	457	3200	3302	3378	2337	4420	1803

General Specifications

42 Inches (1167mm) Standard or Piggy Back		48 Inches (1219 mm) Standard or Piggy Back	
Motor Horse Power	40	Motor Horse Power	50
Speed Reducer	No. 6	Speed Reducer	No. 7
Head Pulley	18" @ 307	Head Pulley	18" @ 307
Tail Pulley	16" @ 215	Tail Pulley	16" @ 215
Bin Capacity	24 yds. nom.	Bin Capacity	30 yds. nom.



Factory Support: Clemro has the most outstanding factory warranty in the industry. One (1) year warranty on all Clemro manufactured parts. Twenty-four (24) hour, seven (7) days a week ties your company into Clemro's massive parts and component inventory.

8242 30 Street S.E., Calgary, Alberta, Canada T2C 1H8
 Phone: (403) 279-3877 Fax: (403) 236-0186 www.clemro.com

